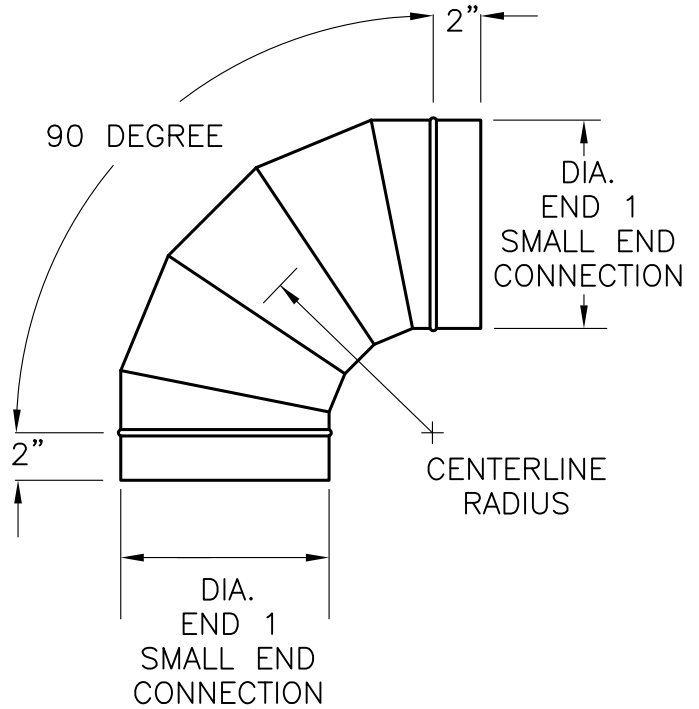


SUBMITTAL SPIRAL FITTINGS

#52 ELBOWS

*SPECIFY
CUSTOM DEGREE
&
CENTERLINE RADIUS



SYSTEM NUMBER/AREA : _____
MATERIAL/STATIC WG : _____

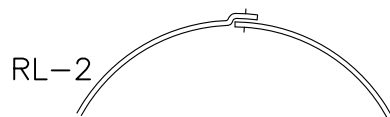
FABRICATE IN ACCORDANCE WITH
SMACNA DUCT CONSTRUCTION STANDARDS

TRANSVERSE JOINT

SMALL END SLIP CONNECTION

LONGITUDINAL SEAMS

LAP, SPOTWELD AND SEAL



GORE LOCK
14" DIA. AND LARGER



CENTERLINE RADIUS

1-1/2 X DIAMETER

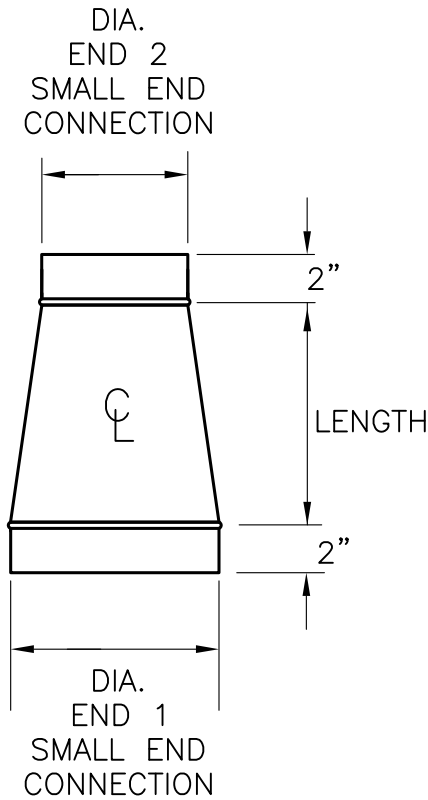
GORE AMOUNT

0-22 DEGREE = 2 GORE
23-45 DEGREE = 3 GORE
46-60 DEGREE = 4 GORE
61-90 DEGREE = 5 GORE

<u>TAG</u>	<u>QTY.</u>	<u>DEGREE</u>	<u>DIA END 1</u>
_____	_____	_____	_____
_____	_____	_____	_____
_____	_____	_____	_____
_____	_____	_____	_____
_____	_____	_____	_____
_____	_____	_____	_____
_____	_____	_____	_____
_____	_____	_____	_____
_____	_____	_____	_____
_____	_____	_____	_____

SUBMITTAL SPIRAL FITTINGS

#57 CONCENTRIC REDUCER

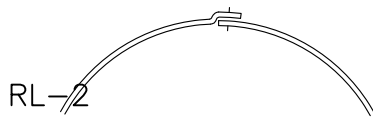


SYSTEM NUMBER/AREA : _____	<u>TAG</u>	<u>QTY.</u>	<u>DIA. END 1</u>	<u>DIA END 2</u>
MATERIAL/STATIC WG : _____	_____	_____	_____	_____

FABRICATE IN ACCORDANCE WITH
SMACNA DUCT CONSTRUCTION STANDARDS

TRANSVERSE JOINT
SMALL END SLIP CONNECTION

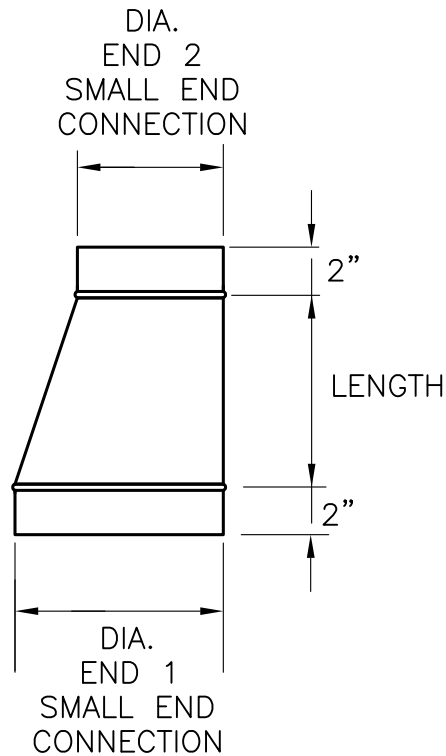
LONGITUDINAL SEAMS
LAP, SPOTWELD AND SEAL

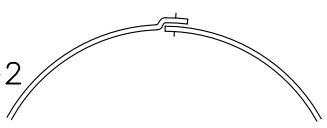


LENGTH (4" MINIMUM)
END 1 - END 2

_____	_____	_____	_____	_____
_____	_____	_____	_____	_____
_____	_____	_____	_____	_____
_____	_____	_____	_____	_____
_____	_____	_____	_____	_____
_____	_____	_____	_____	_____
_____	_____	_____	_____	_____
_____	_____	_____	_____	_____
_____	_____	_____	_____	_____

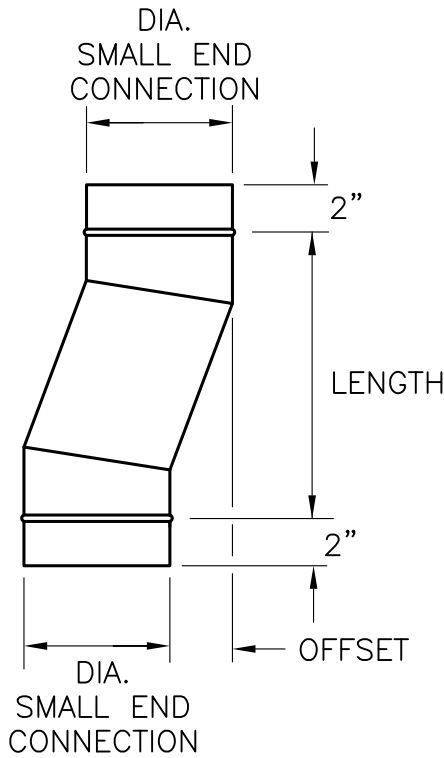
SUBMITTAL SPIRAL FITTINGS #69 ECENTRIC REDUCER



	<u>TAG</u>	<u>QTY.</u>	<u>DIA. END 1</u>	<u>DIA. END 2</u>
SYSTEM NUMBER/AREA : _____	_____	_____	_____	_____
MATERIAL/STATIC WG : _____	_____	_____	_____	_____
FABRICATE IN ACCORDANCE WITH SMACNA DUCT CONSTRUCTION STANDARDS	_____	_____	_____	_____
<u>TRANSVERSE JOINT</u> SMALL END SLIP CONNECTION	_____	_____	_____	_____
<u>LONGITUDINAL SEAMS</u> LAP, SPOTWELD AND SEAL	_____	_____	_____	_____
RL-2 	_____	_____	_____	_____
<u>LENGTH (4" MINIMUM)</u> (END 1 - END 2) x 2	_____	_____	_____	_____

SUBMITTAL SPIRAL FITTINGS

#53 OFFSET



SYSTEM NUMBER/AREA : _____	<u>TAG</u>	<u>QTY.</u>	<u>DIA.</u>	<u>OFFSET</u>
MATERIAL/STATIC WG : _____	_____	_____	_____	_____

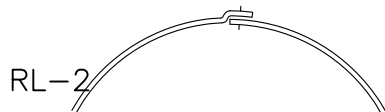
FABRICATE IN ACCORDANCE WITH
SMACNA DUCT CONSTRUCTION STANDARDS

TRANSVERSE JOINT

SMALL END SLIP CONNECTION

LONGITUDINAL SEAMS

LAP, SPOTWELD AND SEAL

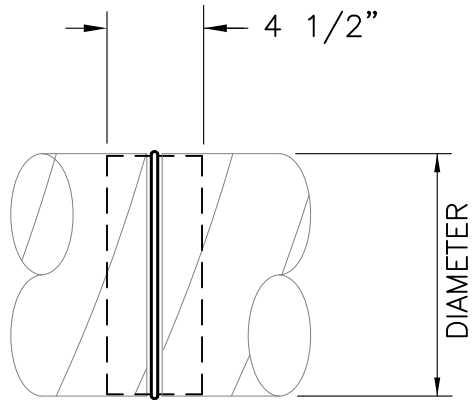


LENGTH (6" MINIMUM)
OFFSET X 2

_____	_____	_____	_____
_____	_____	_____	_____
_____	_____	_____	_____
_____	_____	_____	_____
_____	_____	_____	_____
_____	_____	_____	_____
_____	_____	_____	_____
_____	_____	_____	_____
_____	_____	_____	_____

SUBMITTAL SPIRAL FITTINGS

SPIRAL COUPLING



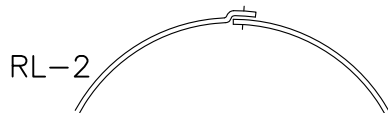
SYSTEM NUMBER/AREA : _____
 MATERIAL TYPE : _____

QTY. DIAMETER

FABRICATE IN ACCORDANCE WITH
 SMACNA DUCT CONSTRUCTION STANDARDS

TRANSVERSE JOINT
 SMALL END SLIP CONNECTION

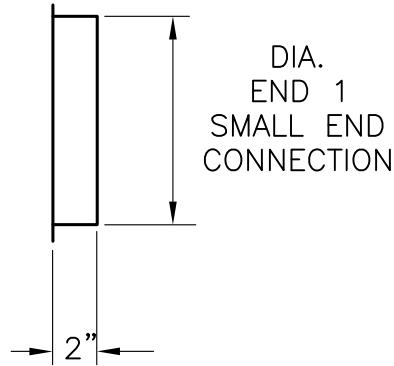
LONGITUDINAL SEAMS
 LAP, SPOTWELD AND SEAL

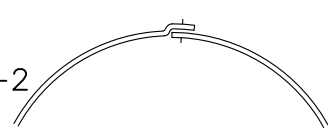


_____	_____
_____	_____
_____	_____
_____	_____
_____	_____
_____	_____
_____	_____
_____	_____
_____	_____
_____	_____

SUBMITTAL SPIRAL FITTINGS

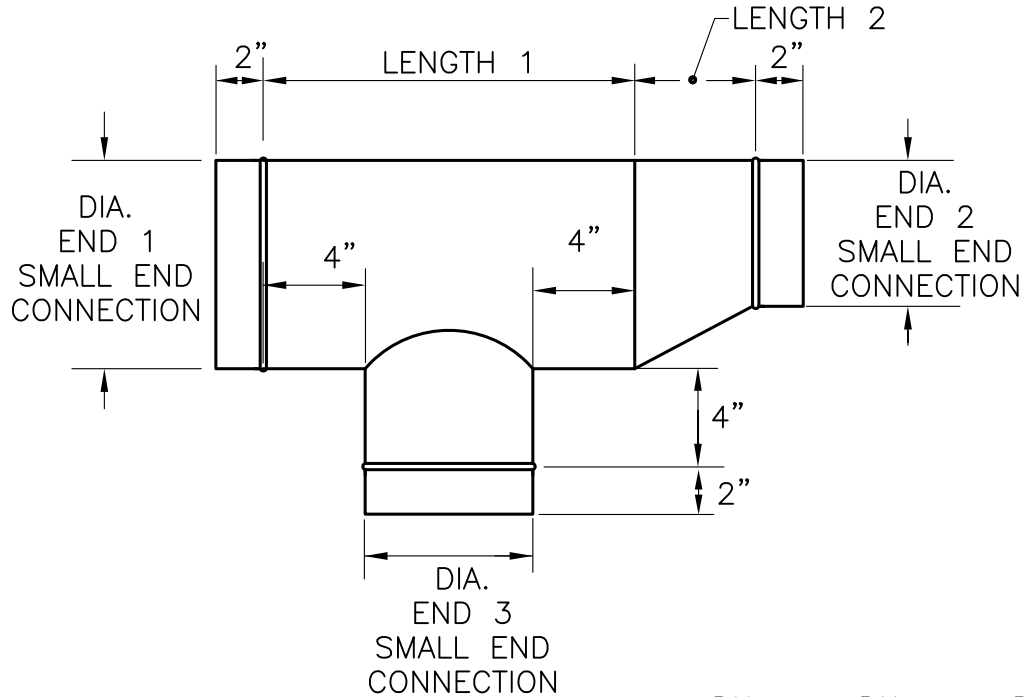
#02 END CAP



	<u>TAG</u>	<u>QTY.</u>	<u>DIA. END 1</u>
SYSTEM NUMBER/AREA : _____	_____	_____	_____
MATERIAL/STATIC WG : _____	_____	_____	_____
FABRICATE IN ACCORDANCE WITH SMACNA DUCT CONSTRUCTION STANDARDS	_____	_____	_____
<u>TRANSVERSE JOINT</u>	_____	_____	_____
SMALL END SLIP CONNECTION	_____	_____	_____
<u>LONGITUDINAL SEAMS</u>	_____	_____	_____
LAP, SPOTWELD AND SEAL	_____	_____	_____
RL-2 	_____	_____	_____
	_____	_____	_____
	_____	_____	_____
	_____	_____	_____
	_____	_____	_____

SUBMITTAL SPIRAL FITTINGS

#65F ECCENTRIC REDUCING TEE 90 DEGREE

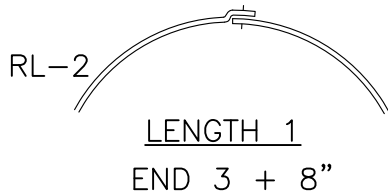


	<u>TAG</u>	<u>QTY.</u>	<u>DIA.</u> <u>END 1</u>	<u>DIA.</u> <u>END 2</u>	<u>DIA.</u> <u>END 3</u>
SYSTEM NUMBER/AREA : _____	_____	_____	_____	_____	_____
MATERIAL/STATIC WG : _____	_____	_____	_____	_____	_____

FABRICATE IN ACCORDANCE WITH
SMACNA DUCT CONSTRUCTION STANDARDS

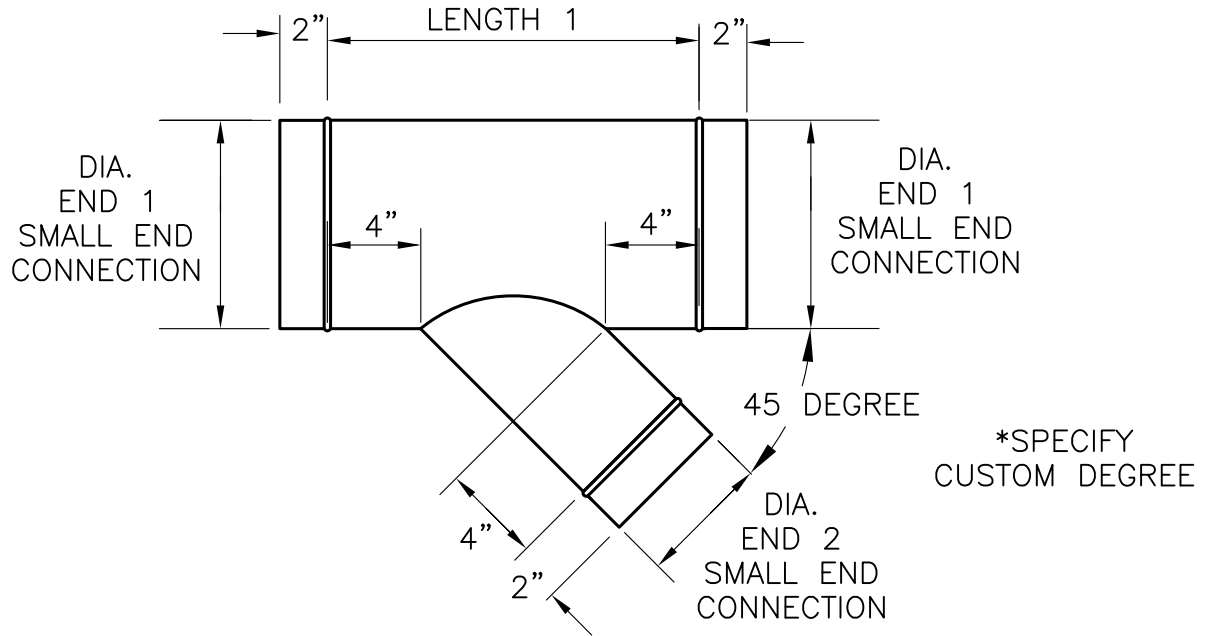
TRANSVERSE JOINT
SMALL END SLIP CONNECTION

LONGITUDINAL SEAMS
LAP, SPOTWELD AND SEAL



LENGTH 2 (4" MINIMUM)
(END 1 - END 2) X 2

SUBMITTAL SPIRAL FITTINGS #54 LATERAL

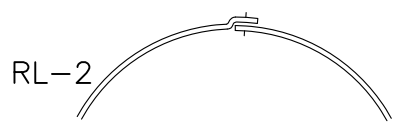


	<u>TAG</u>	<u>QTY.</u>	<u>DIA.</u> <u>END 1</u>	<u>DIA.</u> <u>END 2</u>
SYSTEM NUMBER/AREA : _____	_____	_____	_____	_____
MATERIAL/STATIC WG : _____	_____	_____	_____	_____

FABRICATE IN ACCORDANCE WITH
SMACNA DUCT CONSTRUCTION STANDARDS

TRANSVERSE JOINT
SMALL END SLIP CONNECTION

LONGITUDINAL SEAMS
LAP, SPOTWELD AND SEAL

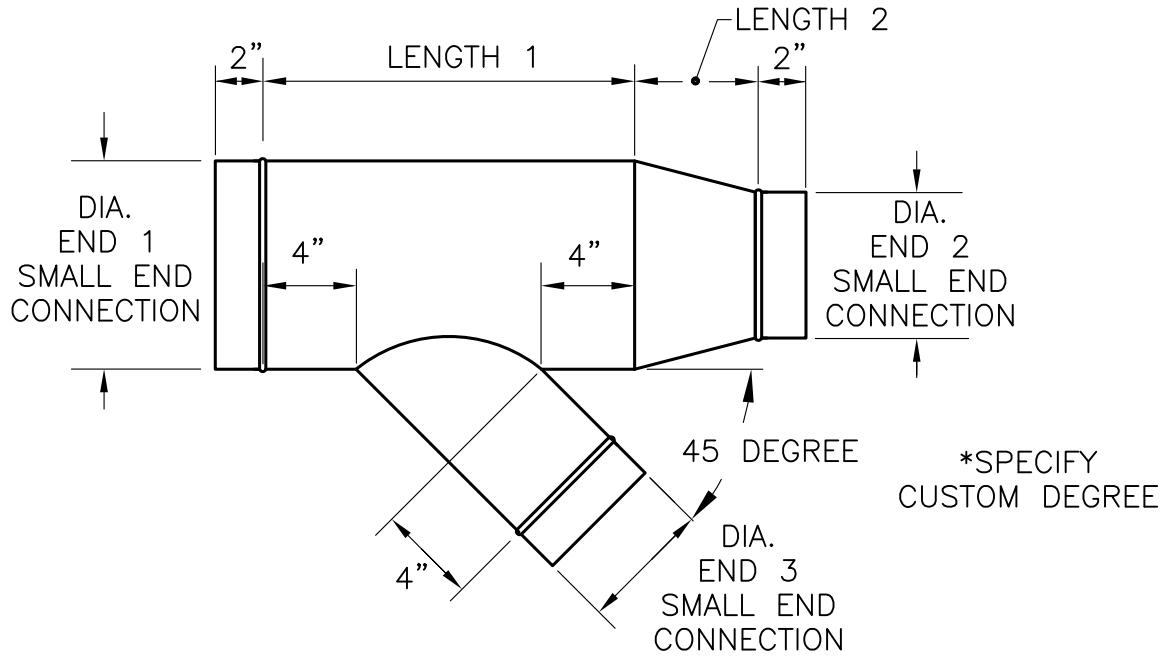


LENGTH 1

30 DEGREE: DIA. END 2 X (2) + 8
45 DEGREE: DIA. END 2 X (1.41) + 8

SUBMITTAL SPIRAL FITTINGS

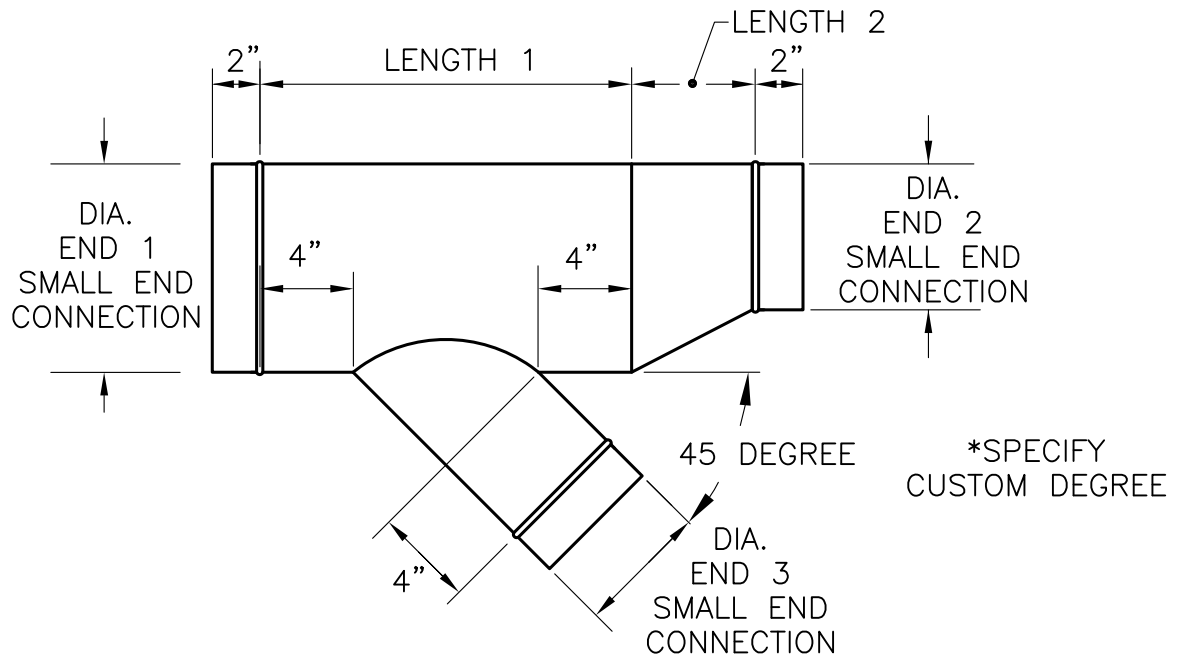
#63 REDUCING LATERAL

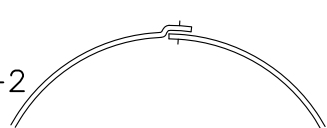


	<u>TAG</u>	<u>QTY.</u>	<u>DIA.</u> <u>END 1</u>	<u>DIA.</u> <u>END 2</u>	<u>DIA.</u> <u>END 3</u>
SYSTEM NUMBER/AREA : _____	_____	_____	_____	_____	_____
MATERIAL/STATIC WG : _____	_____	_____	_____	_____	_____
FABRICATE IN ACCORDANCE WITH SMACNA DUCT CONSTRUCTION STANDARDS	_____	_____	_____	_____	_____
<u>TRANSVERSE JOINT</u>	_____	_____	_____	_____	_____
SMALL END SLIP CONNECTION	_____	_____	_____	_____	_____
<u>LONGITUDINAL SEAMS</u>	_____	_____	_____	_____	_____
LAP, SPOTWELD AND SEAL	_____	_____	_____	_____	_____
RL-2	_____	_____	_____	_____	_____
<u>LENGTH 1</u>	_____	_____	_____	_____	_____
45 DEGREE: DIA. END 3 X (1.41) + 8	_____	_____	_____	_____	_____
30 DEGREE: DIA. END 3 X (2) + 8	_____	_____	_____	_____	_____
<u>LENGTH 2 (4" MINIMUM)</u>	_____	_____	_____	_____	_____
END 1 - END 2	_____	_____	_____	_____	_____

SUBMITTAL SPIRAL FITTINGS

#63F ECCENTRIC REDUCING LATERAL



	<u>TAG</u>	<u>QTY.</u>	<u>DIA.</u> <u>END 1</u>	<u>DIA.</u> <u>END 2</u>	<u>DIA.</u> <u>END 3</u>
SYSTEM NUMBER/AREA : _____	_____	_____	_____	_____	_____
MATERIAL/STATIC WG : _____	_____	_____	_____	_____	_____
FABRICATE IN ACCORDANCE WITH SMACNA DUCT CONSTRUCTION STANDARDS	_____	_____	_____	_____	_____
<u>TRANSVERSE JOINT</u>	_____	_____	_____	_____	_____
SMALL END SLIP CONNECTION	_____	_____	_____	_____	_____
<u>LONGITUDINAL SEAMS</u>	_____	_____	_____	_____	_____
LAP, SPOTWELD AND SEAL	_____	_____	_____	_____	_____
RL-2 	_____	_____	_____	_____	_____
<u>LENGTH 1</u>	_____	_____	_____	_____	_____
45 DEGREE: DIA. END 3 X (1.41) + 8	_____	_____	_____	_____	_____
30 DEGREE: DIA. END 3 X (2) + 8	_____	_____	_____	_____	_____
<u>LENGTH 2 (4" MINIMUM)</u>	_____	_____	_____	_____	_____
(END 1 - END 2) X 2	_____	_____	_____	_____	_____

SUBMITTAL SPIRAL FITTINGS

#64 REDUCING LATERAL CROSS

SYSTEM NUMBER/AREA : _____

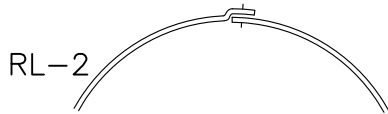
MATERIAL/STATIC WG : _____

FABRICATE IN ACCORDANCE WITH
SMACNA DUCT CONSTRUCTION STANDARDS

*SPECIFY
CUSTOM DEGREE

TRANSVERSE JOINT
SMALL END SLIP CONNECTION

LONGITUDINAL SEAMS
LAP, SPOTWELD AND SEAL



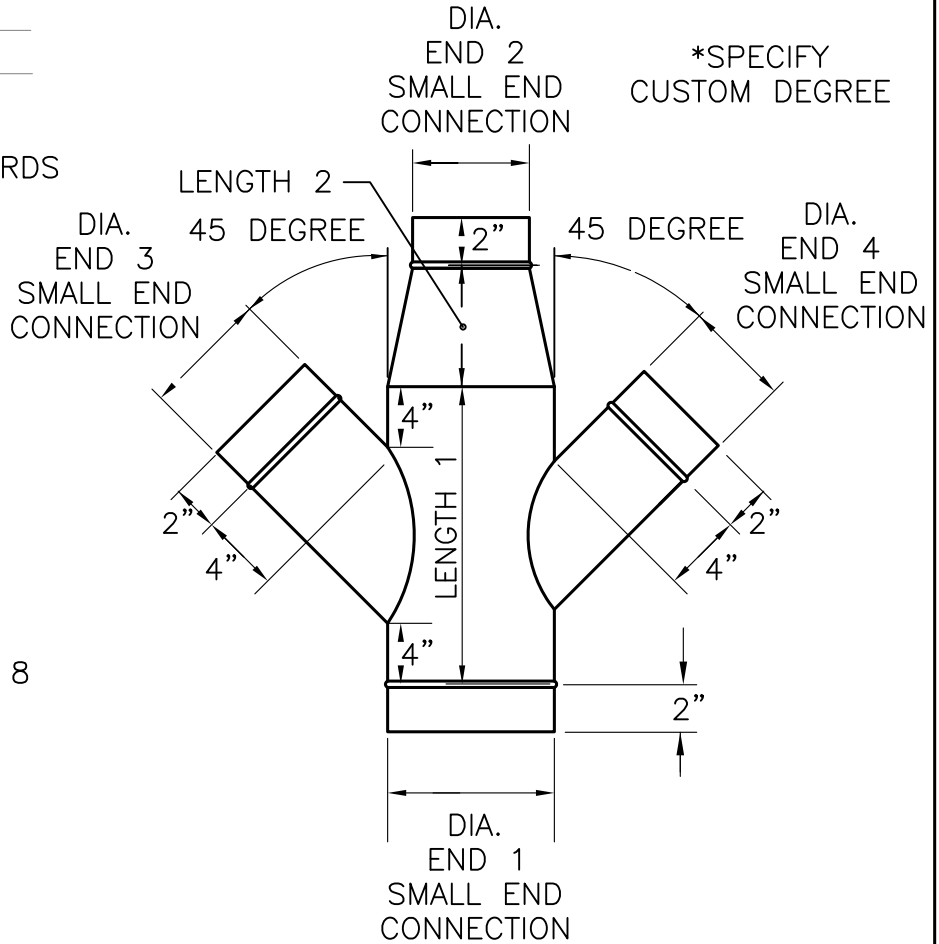
LENGTH 1

45 DEGREE: DIA. END 3 X (1.41) + 8

30 DEGREE: DIA. END 3 X (2) + 8

LENGTH 2 (4" MINIMUM)

END 1 - END 2

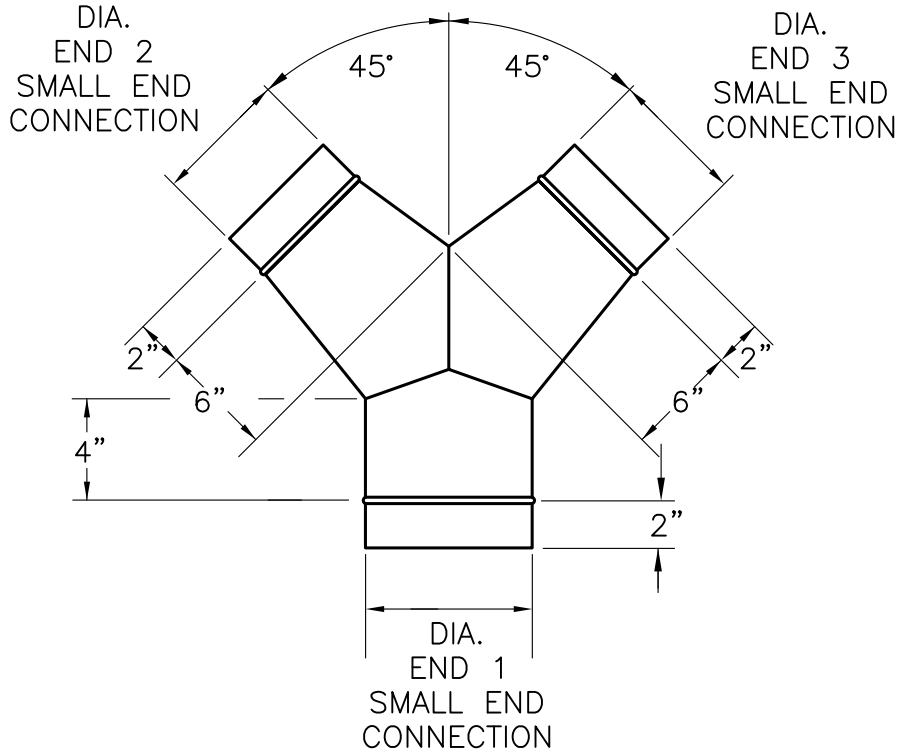


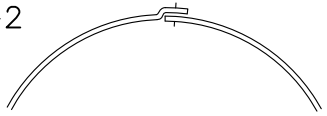
<u>TAG</u>	<u>QTY.</u>	<u>DIA. END 1</u>	<u>DIA END 2</u>	<u>DIA END 3</u>	<u>DIA END 4</u>

SUBMITTAL SPIRAL FITTINGS

#132 45° Y BRANCH REDUCING

*SPECIFY CUSTOM DEGREE

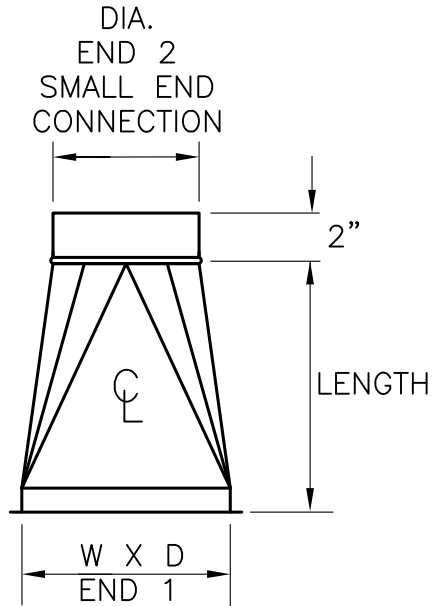


	<u>TAG</u>	<u>QTY.</u>	<u>DIA.</u> <u>END 1</u>	<u>DIA.</u> <u>END 2</u>	<u>DIA.</u> <u>END 3</u>
SYSTEM NUMBER/AREA : _____	_____	_____	_____	_____	_____
MATERIAL/STATIC WG : _____	_____	_____	_____	_____	_____
FABRICATE IN ACCORDANCE WITH SMACNA DUCT CONSTRUCTION STANDARDS	_____	_____	_____	_____	_____
<u>TRANSVERSE JOINT</u>	_____	_____	_____	_____	_____
SMALL END SLIP CONNECTION	_____	_____	_____	_____	_____
<u>LONGITUDINAL SEAMS</u>	_____	_____	_____	_____	_____
LAP, SPOTWELD AND SEAL	_____	_____	_____	_____	_____
RL-2	_____	_____	_____	_____	_____
	_____	_____	_____	_____	_____
	_____	_____	_____	_____	_____
	_____	_____	_____	_____	_____

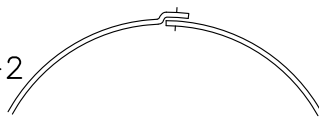
www.langdonsheetmetal.com

SUBMITTAL SPIRAL FITTINGS

#50 CENTER LINE SQUARE TO ROUND



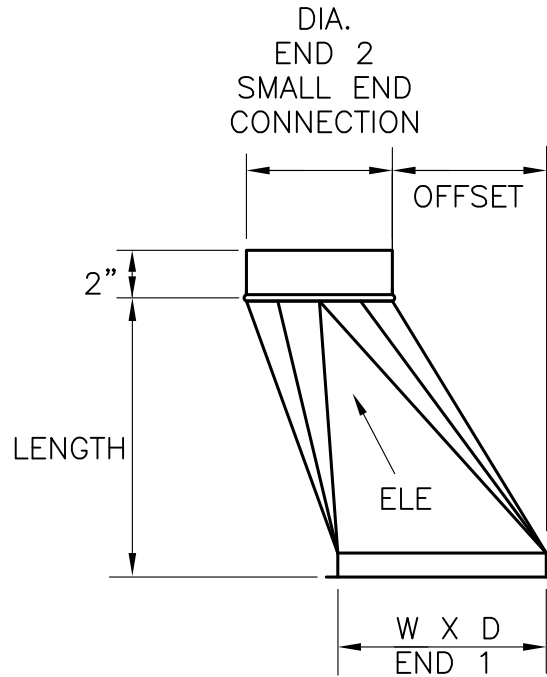
S & D-TDC-FLG-RAW

	TAG	QTY.	<u>W X D</u> <u>END 1</u> CENTERLINE	<u>CONN.</u> <u>TYPE</u> END 1	<u>DIA.</u> <u>END 2</u> CENTERLINE
SYSTEM NUMBER/AREA : _____			X		
MATERIAL/STATIC WG : _____			X		
FABRICATE IN ACCORDANCE WITH SMACNA DUCT CONSTRUCTION STANDARDS			X		
<u>END 1 TRANSVERSE JOINT</u>			X		
S & D-TDC-FLG-RAW			X		
<u>END 2 TRANSVERSE JOINT</u>			X		
SMALL END SLIP CONNECTION			X		
<u>LONGITUDINAL SEAMS</u>			X		
LAP, SPOTWELD AND SEAL			X		
RL-2 			X		
<u>LENGTH (6" MINIMUM)</u>			X		
END 1 (W OR D LARGEST ONE) - END 2					

www.langdonsheetmetal.com

SUBMITTAL SPIRAL FITTINGS

#74 OFFSET SQUARE TO ROUND

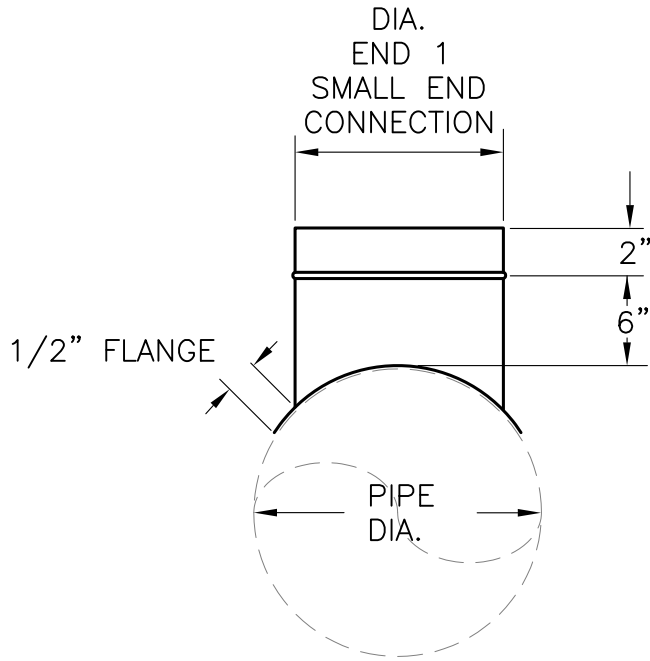


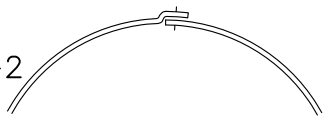
S & D-TDC-FLG-RAW

SYSTEM NUMBER/AREA : _____ MATERIAL/STATIC WG : _____	<u>TAG</u>	<u>QTY.</u>	<u>W X D</u> <u>END 1</u>	<u>CONN.</u> <u>TYPE</u> <u>END 1</u>	<u>DIA</u> <u>END 2</u>	<u>OFFSET</u>	<u>ELE.</u> <u>TU/TD</u>
FABRICATE IN ACCORDANCE WITH	_____	_____	X	_____	_____	_____	_____
SMACNA DUCT CONSTRUCTION STANDARDS	_____	_____	X	_____	_____	_____	_____
<u>END 1 TRANSVERSE JOINT</u>	_____	_____	X	_____	_____	_____	_____
S & D-TDC-FLG-RAW	_____	_____	X	_____	_____	_____	_____
<u>END 2 TRANSVERSE JOINT</u>	_____	_____	X	_____	_____	_____	_____
SMALL END SLIP CONNECTION	_____	_____	X	_____	_____	_____	_____
<u>LONGITUDINAL SEAMS</u>	_____	_____	X	_____	_____	_____	_____
LAP, SPOTWELD AND SEAL	_____	_____	X	_____	_____	_____	_____
RL-2	_____	_____	X	_____	_____	_____	_____
<u>LENGTH (6" MINIMUM)</u> OFFSET X 2	_____	_____	X	_____	_____	_____	_____

SUBMITTAL SPIRAL FITTINGS

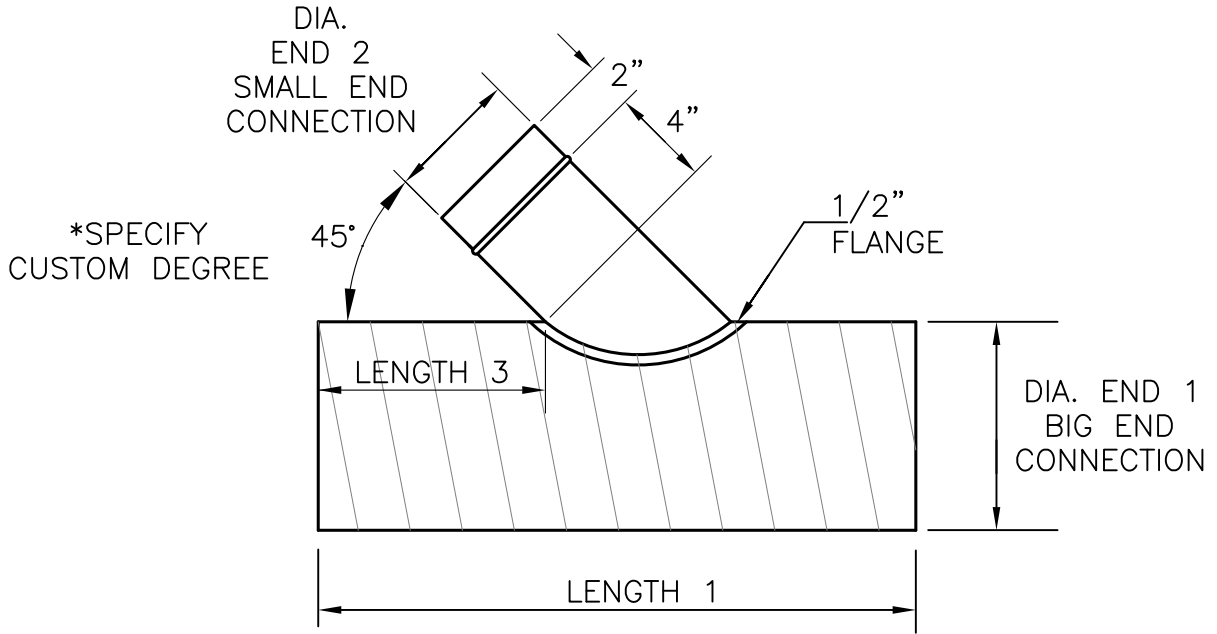
#67-90 FIELD MOUNTED STRAIGHT TAP ON ROUND



SYSTEM NUMBER/AREA : _____	<u>TAG</u>	<u>QTY.</u>	<u>DIA. END 1</u>	<u>PIPE DIA.</u>
MATERIAL/STATIC WG : _____	_____	_____	_____	_____
FABRICATE IN ACCORDANCE WITH SMACNA DUCT CONSTRUCTION STANDARDS				
<u>TRANSVERSE JOINT</u> SMALL END SLIP CONNECTION				
<u>LONGITUDINAL SEAMS</u> LAP, SPOTWELD AND SEAL				
RL-2 	_____	_____	_____	_____
	_____	_____	_____	_____
	_____	_____	_____	_____
	_____	_____	_____	_____
	_____	_____	_____	_____
	_____	_____	_____	_____
	_____	_____	_____	_____
	_____	_____	_____	_____

SUBMITTAL SPIRAL FITTINGS

#54S LATERAL SHOP MOUNTED

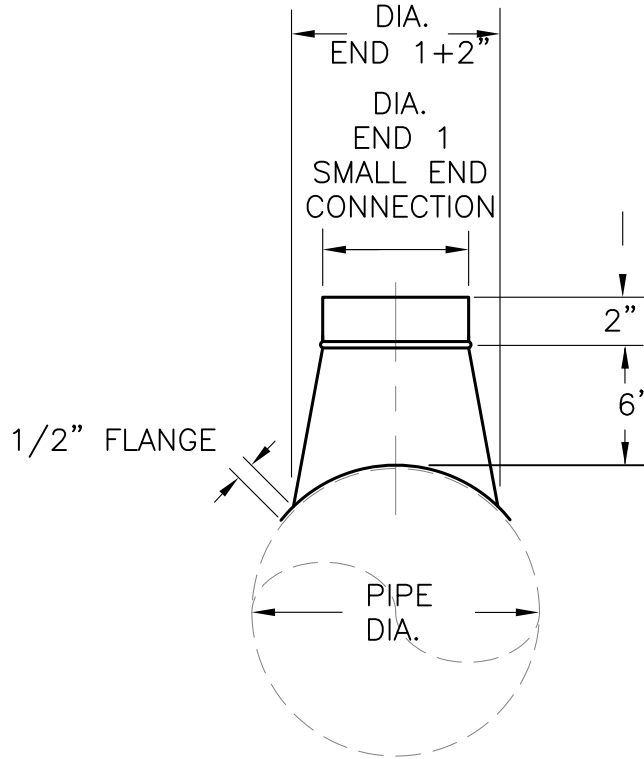


	<u>TAG</u>	<u>QTY.</u>	<u>DIA.</u> <u>END 1</u>	<u>DIA.</u> <u>END 2</u>	<u>LENGTH 1</u>	<u>LENGTH 3</u>
SYSTEM NUMBER/AREA : _____	_____	_____	_____	_____	_____	_____
MATERIAL/STATIC WG : _____	_____	_____	_____	_____	_____	_____
FABRICATE IN ACCORDANCE WITH SMACNA DUCT CONSTRUCTION STANDARDS	_____	_____	_____	_____	_____	_____
<u>TRANSVERSE JOINT</u>	_____	_____	_____	_____	_____	_____
SMALL END SLIP CONNECTION	_____	_____	_____	_____	_____	_____
<u>LATERAL LONGITUDINAL SEAM</u>	_____	_____	_____	_____	_____	_____
LAP, SPOTWELD AND SEAL	_____	_____	_____	_____	_____	_____
RL-2	_____	_____	_____	_____	_____	_____
<u>BODY LONGITUDINAL SEAM</u>	_____	_____	_____	_____	_____	_____
SPIRAL SEAM	_____	_____	_____	_____	_____	_____
RL-1	_____	_____	_____	_____	_____	_____

www.langdonsheetmetal.com

SUBMITTAL SPIRAL FITTINGS

#56T CONICAL TAP ON ROUND

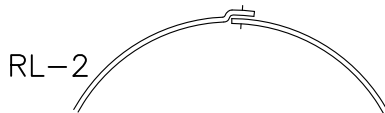


SYSTEM NUMBER/AREA : _____	<u>TAG</u>	<u>QTY.</u>	<u>DIA. END 1</u>	<u>PIPE DIA.</u>
MATERIAL/STATIC WG : _____	_____	_____	_____	_____

FABRICATE IN ACCORDANCE WITH
SMACNA DUCT CONSTRUCTION STANDARDS

TRANSVERSE JOINT
SMALL END SLIP CONNECTION

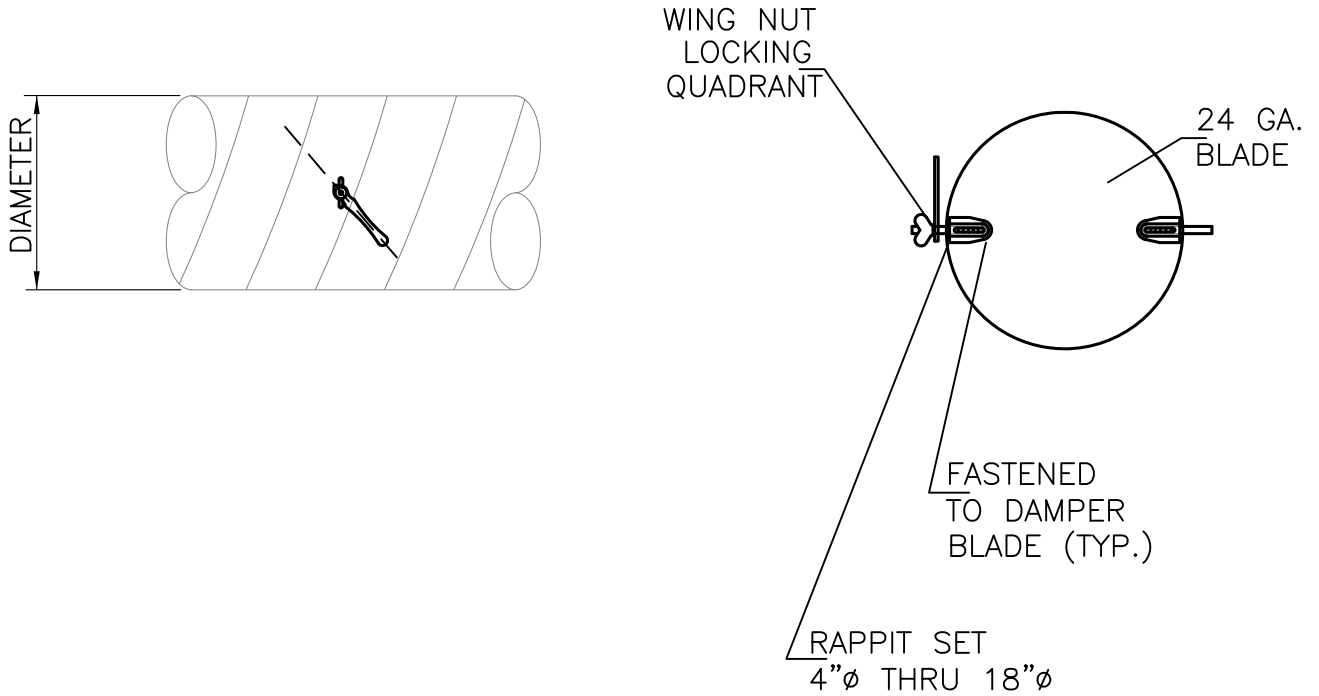
LONGITUDINAL SEAMS
LAP, SPOTWELD AND SEAL



	_____	_____	_____	_____
	_____	_____	_____	_____
	_____	_____	_____	_____
	_____	_____	_____	_____
	_____	_____	_____	_____
	_____	_____	_____	_____
	_____	_____	_____	_____
	_____	_____	_____	_____
	_____	_____	_____	_____

SUBMITTAL SPIRAL FITTINGS

MANUAL VOLUME DAMPER 4"Ø TO 18"Ø



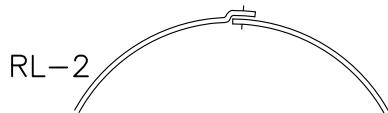
SYSTEM NUMBER/AREA : _____
 MATERIAL/STATIC WG : _____

TAG QTY. DIAMETER

FABRICATE IN ACCORDANCE WITH
 SMACNA DUCT CONSTRUCTION STANDARDS

TRANSVERSE JOINT
 SMALL END SLIP CONNECTION

LONGITUDINAL SEAMS
 LAP, SPOTWELD AND SEAL



STANDARD SIZES 4"Ø THRU 18"Ø

_____	_____	_____
_____	_____	_____
_____	_____	_____
_____	_____	_____
_____	_____	_____
_____	_____	_____
_____	_____	_____
_____	_____	_____
_____	_____	_____
_____	_____	_____

